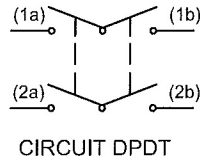


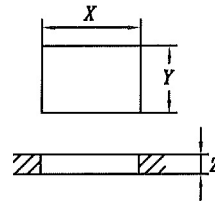
- 1、 All dimensions in mm [Inch]
- 2、 General tolerance : $>10\pm 0.4$
 $<10\pm 0.25$
- 3、 Electrical rating : 16A 250VAC & 20A 125VAC & 16A 250VAC (ENEC)
- 4、 Contact resistance : $< 20m\Omega$ (initial)
- 5、 Insulation resistance : $> 1000M\Omega$ (500VDC between open contacts)
- 6、 Dielectric strength : $>1500V$ 1 minute
- 7、 Mechanical life : >30000 cycles
- 8、 Electrical life : >10000 cycles
- 9、 Temperature rise at the terminal : Max.30°C
- 10、 Solder ability of terminal : Max350°C, 3S(no pressure may be placed in the terminals when soldering by hand)



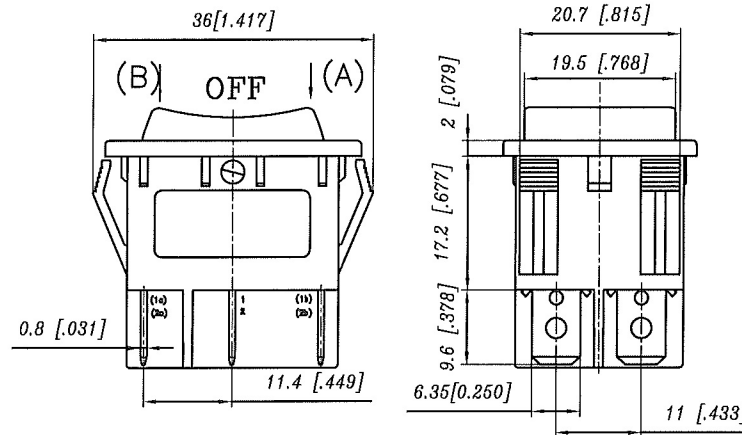
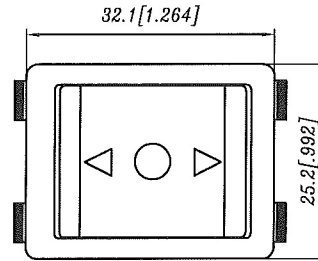
():Momentary

POLE FUNCTION	OPTIONS OF FUNCTION		
	A	CENTER	B
DPDT	(1-1a) (2-2a)	OFF	(1-1b) (2-2b)

PANEL CUT-OUT		
Z	Y	X
0.7~1.25 [.028~.049]	22.1~22.2 [.870~.874]	30.0~30.2 [1.181~1.189]
1.25~2.0 [.049~.079]	22.1~22.2 [.870~.874]	30.2~30.4 [1.189~1.197]
2.0~3.0 [.079~.118]	22.1~22.2 [.870~.874]	30.6~30.8 [1.205~1.213]



* We keep the right to alter the dimension without notice.



Color	Housing #	Actuator #
K(Black)	#	#
W(White)		
R(Red)		
G(Gray)		
O(Orange)		
B(Blue)		
Y(III. Yellow)		
M(III. Green)		
F(III. Blue)		
T(III. White)		
D(III. Red)		

A	B	C	D	E	F	G	H	I
							#	

SCALE:0.6:1

Part NO.	DS-608							
Dwg. NO.	R565-60810							
Series NO.	R5	Drawing	lizhili		Auditing	Wangchangjian		
Dwg.Name	Specification	Scale	2:1	Date	08/08/06	Page		