



95.13.2



95.15.2

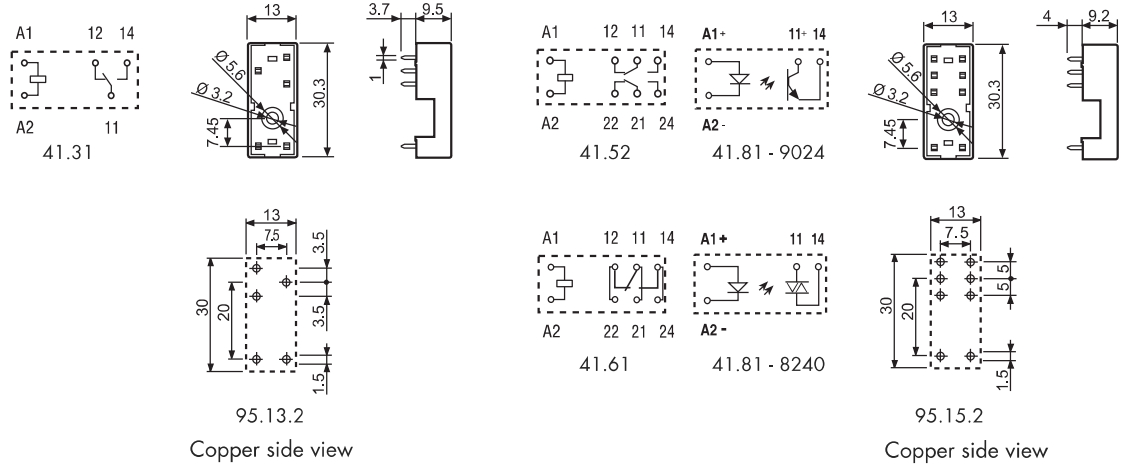
Approvals
(according to type):



| PCB socket | 95.13.2 (blue) | 95.13.20 (black) | 95.15.2 (blue) | 95.15.20 (black) |
|------------------------|--|------------------|------------------------------------|------------------|
| For relay type | 41.31 | | 41.52, 41.61, 41.81 ⁽¹⁾ | |
| Accessories | | | | |
| Plastic retaining clip | | | | 095.42 |
| Technical data | | | | |
| Rated values | 10 A - 250 V * | | | |
| Dielectric strength | 6 kV (1.2/50 μs) between coil and contacts | | | |
| Protection category | IP 20 | | | |
| Ambient temperature | °C -40...+70 | | | |

* For currents >10 A, contact terminals must be connected in parallel (21 with 11, 24 with 14, 22 with 12).

⁽¹⁾ With the relay 41.81 the NO change-over contact will be 11-14.



Packaging codes

How to code and identify retaining clip and packaging options for sockets.

Example:

9 5 . 1 3 . 2 S L A

A Standard packaging

SL Plastic retaining clip

9 5 . 1 3 . 2 [] []

Without retaining clip